

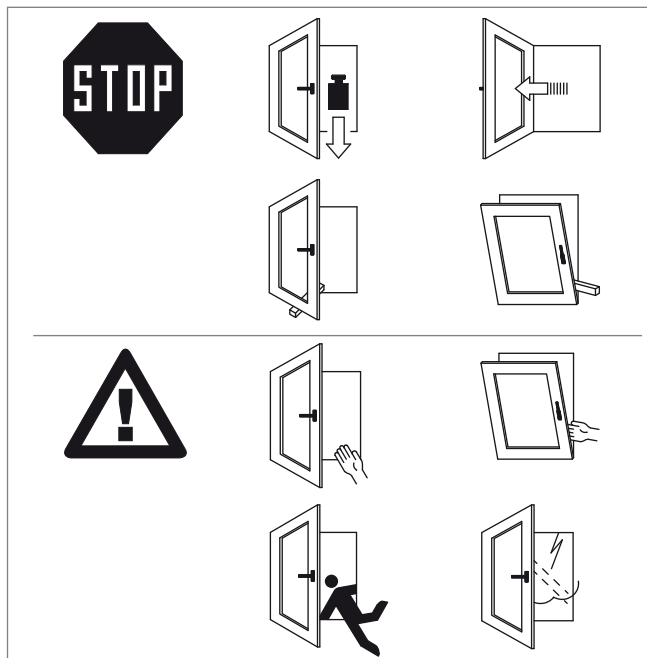
GU Advice on operation, default and hazards

In order to avoid damage to your window take note of the following advice :

- Do not put any load on the sash
- Do not turn the sash beyond the predetermined opening angle
- Do not jam the sash by placing an object between sash and frame

In order to prevent accidents be aware of the following hazards :

- Risk of getting crushed between frame and sash
- Risk of falling out of the open window
- Risk of injury by sash swinging open through a gust of wind

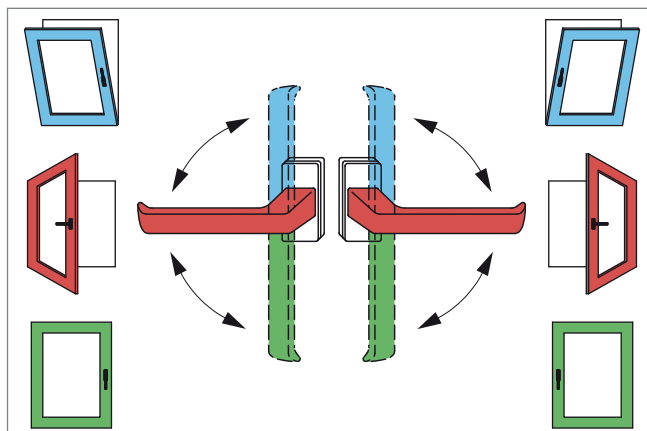


How to operate a tilt-turn window :
(meaning of symbols)

- green: sash closed
- blue: sash in tilt position for airing
- red: sash in turn position for cleaning or inrush airing

Attention:

In order to prevent hazards it is necessary that sashes in turn position should be held or secured.



Maintain your window's warranty!

In order to maintain the warranty on the window hardware it is imperative that the advice on operation, default and hazards be observed.

Adhesive label with operating symbols available on request.

GU Appropriate operation, maintenance and care of windows



Address / Your maintenance service :



You have acquired a window with highest quality tilt-turn fittings made by Gretsch-Unitas.

Every window – as other building elements also – is subject to normal wear.

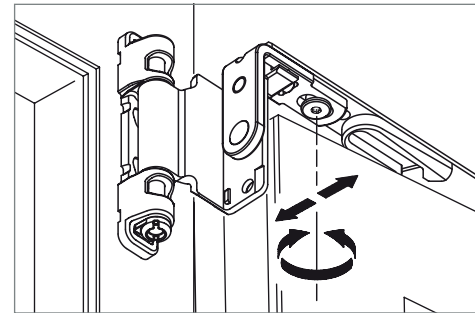
The smooth and easy movement of the window fittings and also the service life of your window largely depends on the nature of its care.

At least once a year, the user must carry out the following maintenance jobs on windows and patio doors:

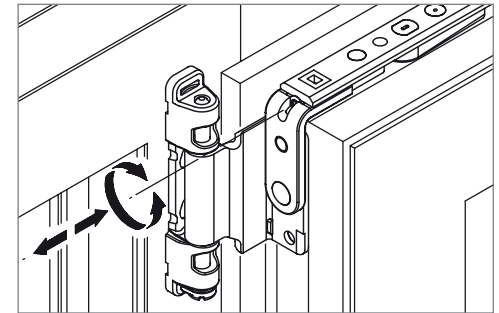
- ☼ Grease all moving parts and locking points and verify their proper function.
- + Retighten the fixing screws of the handle (remove handle rosette carefully).

We recommend to conclude a service contract.

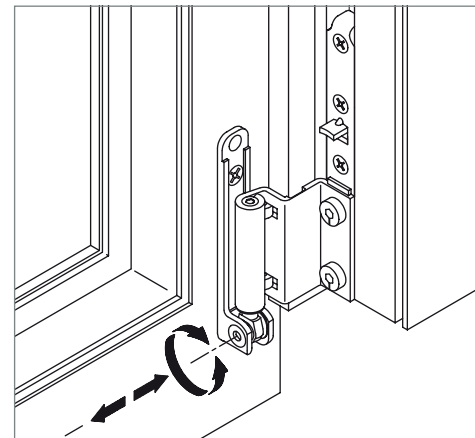
When problems appear such that a safe function of the window is no longer guaranteed, please call in your window specialist without delay.



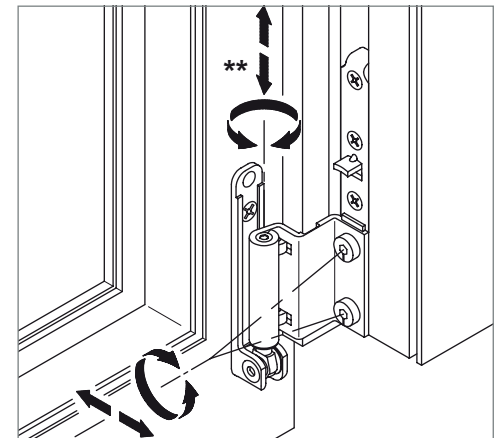
Gasket pressure adjustment – stay arm



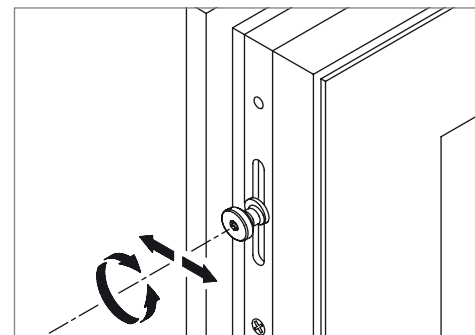
Horizontal sash adjustment – stay arm



Horizontal sash adjustment – corner bearing



Vertical and gasket pressure adjustment



Gasket pressure adjustment – mushroom pin

We recommend that the window finish and glazing be regularly checked over and any damage made good.

The gasket must not be painted over or cleaned with aggressive agents.

If necessary, ask your window fabricator to undertake the adjustments! *

(*) Adjustment tool: Torx 15 screwdriver or Allen key size 4 (**)